

# Table Details

## Table Edge Options



Straight



Bullnose



Thumbnail



Ovolo



Chamfered

## Hand-Planed Top

Our hand-planed top is subtle to the eye and gentle to the hand. We take a more sophisticated approach than most with no deep gouges or tear-outs.



## Self-Storing Leaves

Self-storing leaves conveniently stow away beneath the table top. A number of our tables are designed with self-storing leaves and some are optional. Butterfly leaves on the Clark and Walden Tables have special hardware to facilitate self-storage with minimal effort.



## Small (2¼") Legs



Oscoda Newport

## Medium (2¾") Legs



Block\* Tapered\* Cabriole Rhone Shaker Turned\* Providence

## Large (3½") Legs

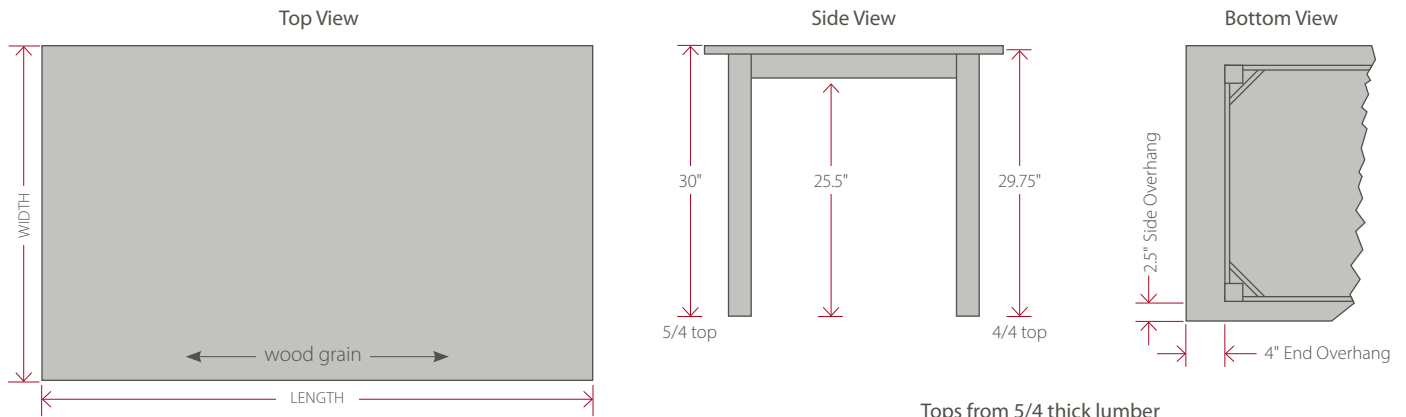


Large Block Regency Overland

\*Also available in Counter Height

# Design Your Own Fixed Top Dining Table

Classically proportioned tables with tops made from 5/4 and 4/4 thick solid Cherry or Maple.

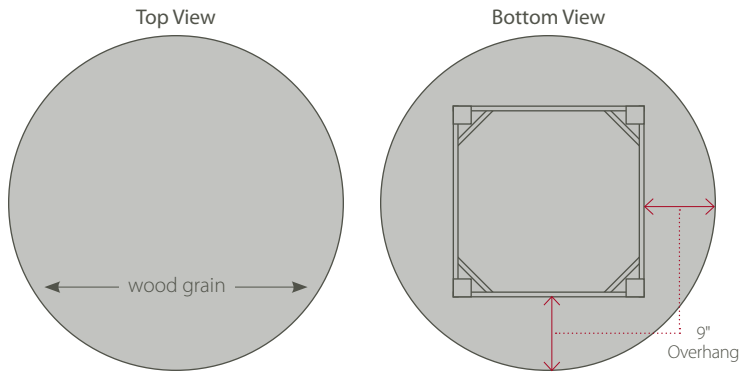


## Tops from 4/4 thick lumber

WIDTH	LENGTH						
	36"	42"	48"	54"	60"	66"	72"
36"	10245	10246	10247	10248	10249	10250	10251
38"		10253	10254	10255	10256	10257	10258
40"		10260	10261	10262	10263	10264	10265
42"		10267	10268	10269	10270	10271	10272
44"			10275	10276	10277	10278	10279

## Tops from 5/4 thick lumber

WIDTH	LENGTH								
	48"	54"	60"	66"	72"	78"	84"	90"	96"
38"	10045	10046	10047	10048	10049	10050	10051	10052	10053
40"	10054	10055	10056	10057	10058	10059	10060	10061	10062
42"	10063	10064	10065	10066	10067	10068	10069	10070	10071
44"	10072	10073	10074	10075	10076	10077	10078	10079	10080
46"	10081	10082	10083	10084	10085	10086	10087	10088	10089
48"	10090	10091	10092	10093	10094	10095	10096	10097	10098



## Tops from 4/4 thick lumber

DIAMETER	
42"	10242
45"	10243
48"	10244

## Tops from 5/4 thick lumber

DIAMETER	
42"	10041
48"	10042
54"	10043
60"	10044

11.5" Overhang

## Edges (side view)

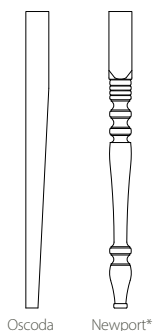


## Corners (top view)



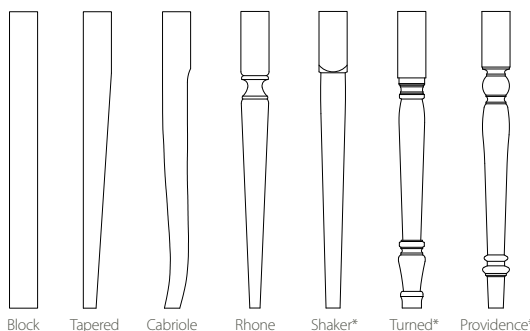
## Small Legs

(2.25" x 2.25" x 29")



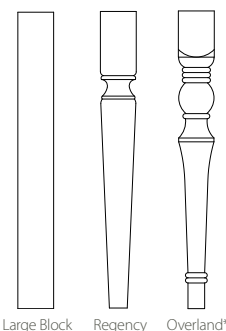
## Medium Legs

(2.75" x 2.75" x 29")



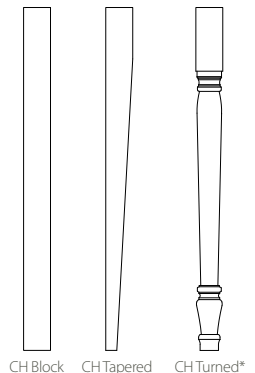
## Large Legs

(3.5" x 3.5" x 29")



## Counter Height Legs

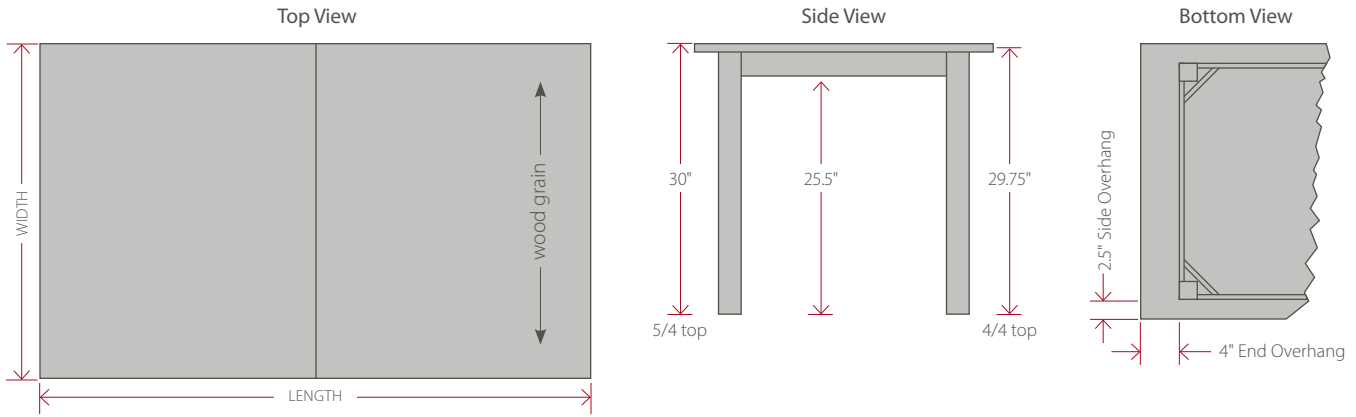
(2.75" x 2.75" x 35") extra charge



\* These legs have a rounded or turned profile. Unmarked legs have a straight or tapered profile.

# Design Your Own Extension Dining Table

Classically proportioned tables with one 18" leaf and tops made from 5/4 and 4/4 thick solid Cherry or Maple.

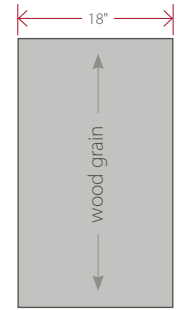


Tops from 4/4 thick lumber

WIDTH	LENGTH				
	48"	54"	60"	66"	72"
36"	10350	10351	10352	10353	10354
38"	10355	10356	10357	10358	10359
40"	10360	10361	10362	10363	10364
42"		10365	10366	10367	10368
44"		10369	10370	10371	10372

Tops from 5/4 thick lumber

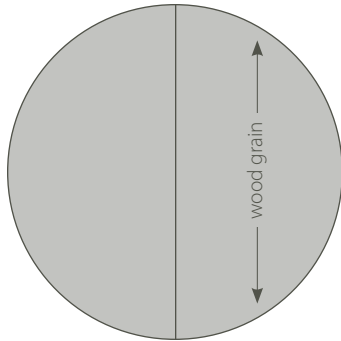
WIDTH	LENGTH					
	66"	72"	78"	84"	90"	96"
40"	10150	10151	10152	10153	10154	10155
42"	10156	10157	10158	10159	10160	10161
44"	10162	10163	10164	10165	10166	10167
46"	10168	10169	10170	10171	10172	10173
48"	10174	10175	10176	10177	10178	10179



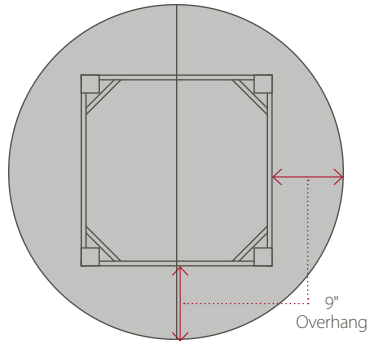
- One 18" leaf standard
- Additional 18" leaf available at an extra charge

Rectangular tables self-store one leaf only.

Top View



Bottom View



Tops from 4/4 thick lumber

DIAMETER	
42"	10347
45"	10348
48"	10349

Tops from 5/4 thick lumber

DIAMETER	
42"	10146
48"	10147
54"	10148
60"	10149

11.5" Overhang

Edges (side view)

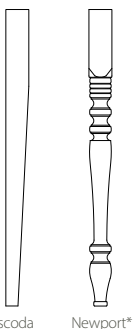


Corners (top view)



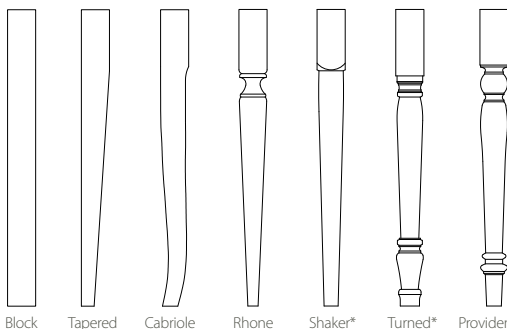
Small Legs

(2.25" x 2.25" x 29")



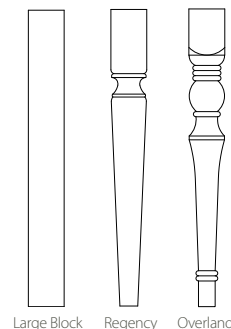
Medium Legs

(2.75" x 2.75" x 29")



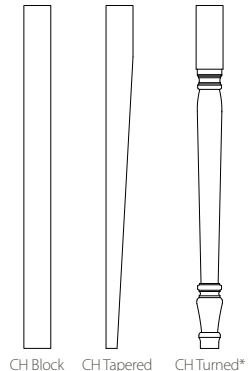
Large Legs

(3.5" x 3.5" x 29")



Counter Height Legs

(2.75" x 2.75" x 35") extra charge



\* These legs have a rounded or turned profile. Unmarked legs have a straight or tapered profile.